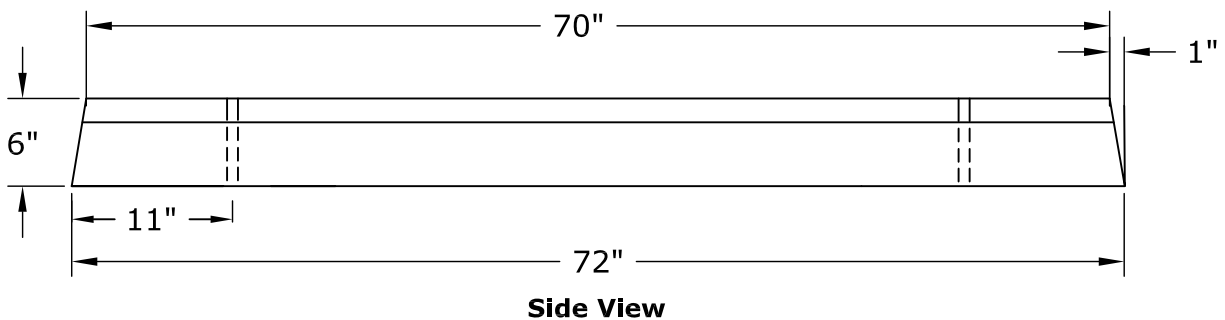
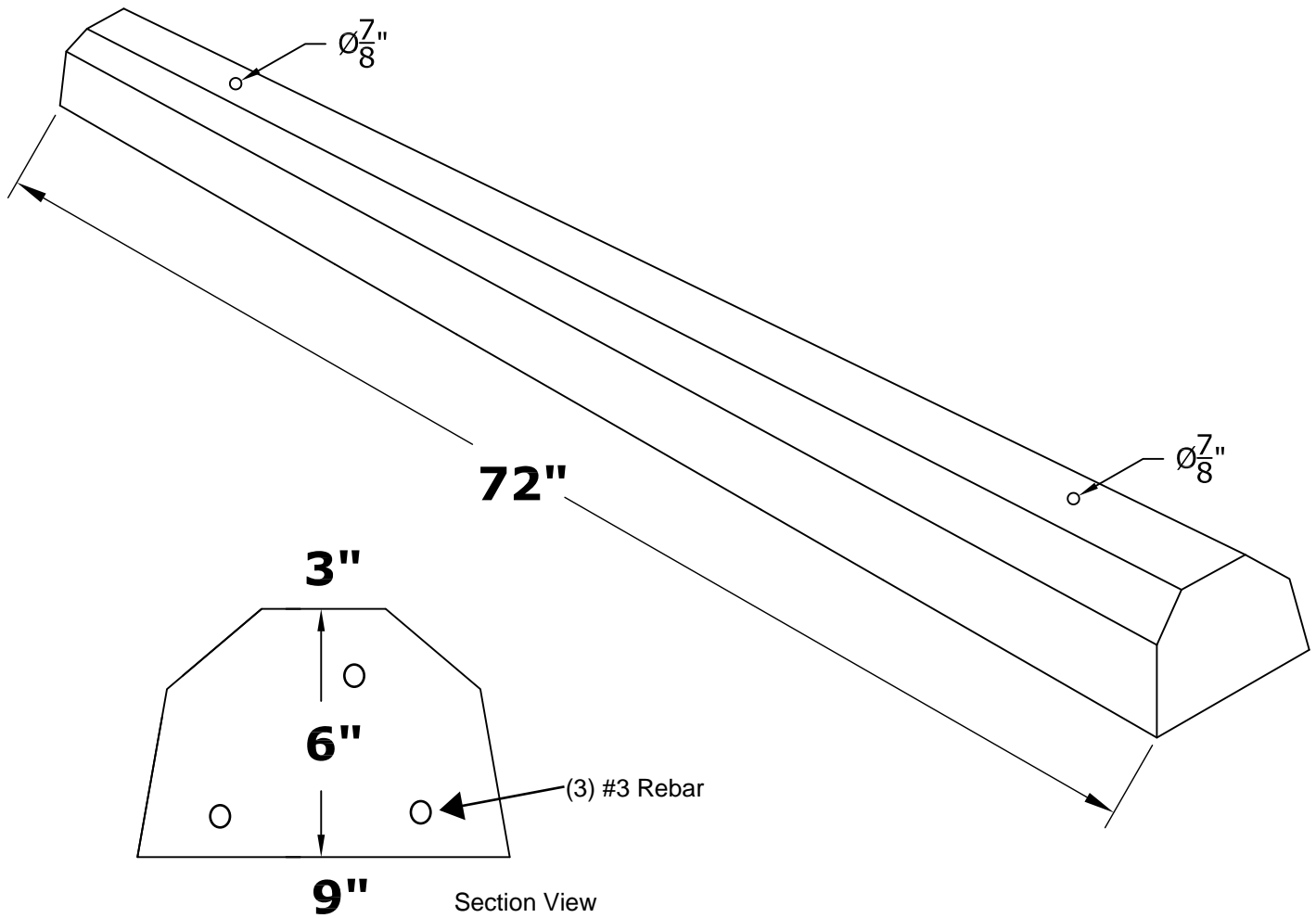


CP HD Precast Parking Block



6209 Simpson Ave Cincinnati OH 45224
(513) 739-1166
CincinnatiPrecast.com

Specifications:
Concrete: 5,000 PSI Min
Reinforcing Bar: (3) #3 Bars Continuous
0.52 yds. = 265 lbs.

Description: 6" x 9" x 72"

Part Number: P200HS

Drawing Date: 21Jan2026

Comments: