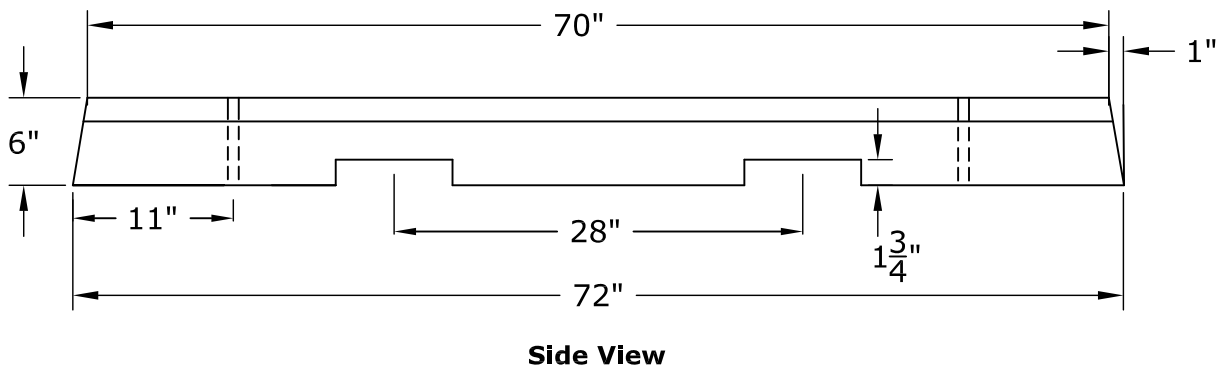
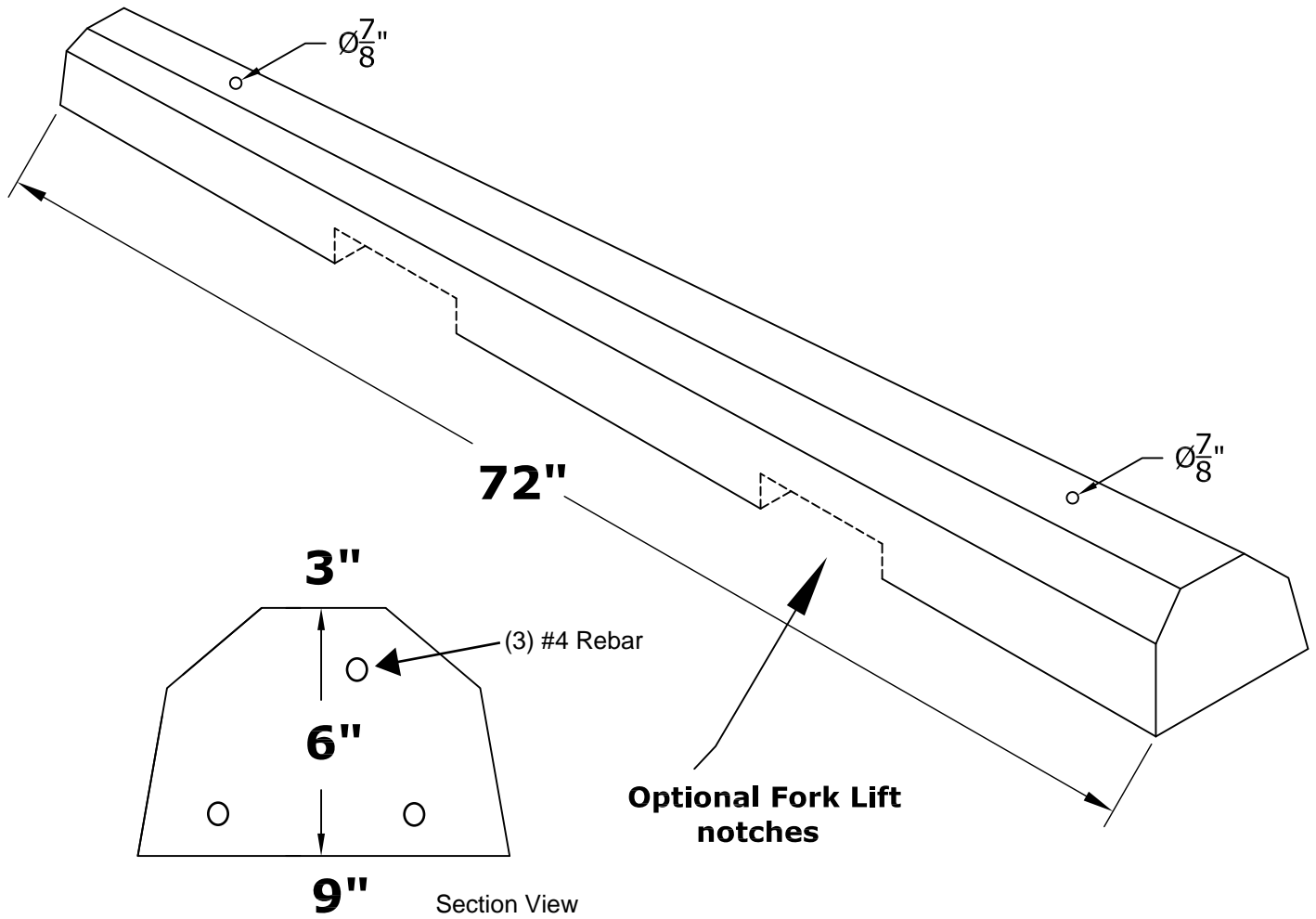


CP HD Precast Parking Block

(WITH DRAINAGE/FORKLIFT POCKETS)



6209 Simpson Ave Cincinnati OH 45224
 (513) 739-1166
 CincinnatiPrecast.com

Specifications:
 Concrete: 4,000 PSI Min
 Reinforcing Bar: (3) #4 Bars Continuous
 0.52 yds. = 265 lbs.

Description: 6" x 9" x 72" w/ Drain Slots

Part Number: P200-DS

Drawing Date: 21Jan2026

Comments: