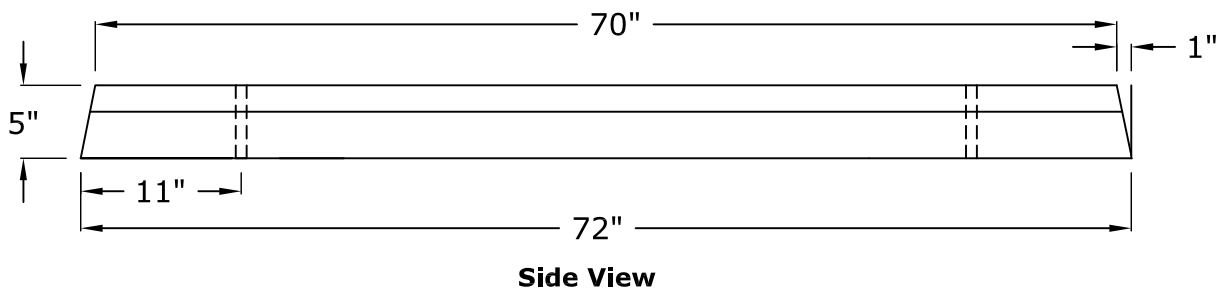
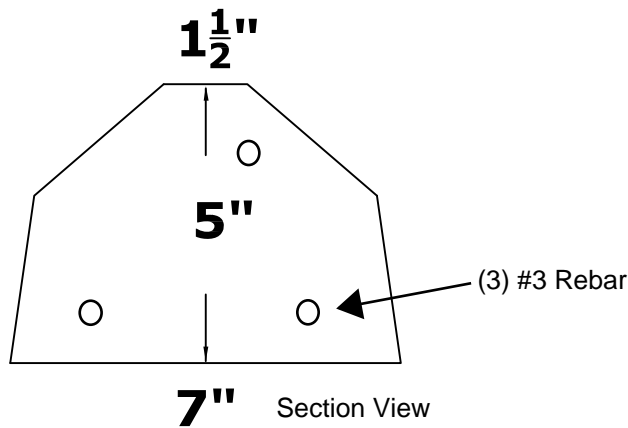
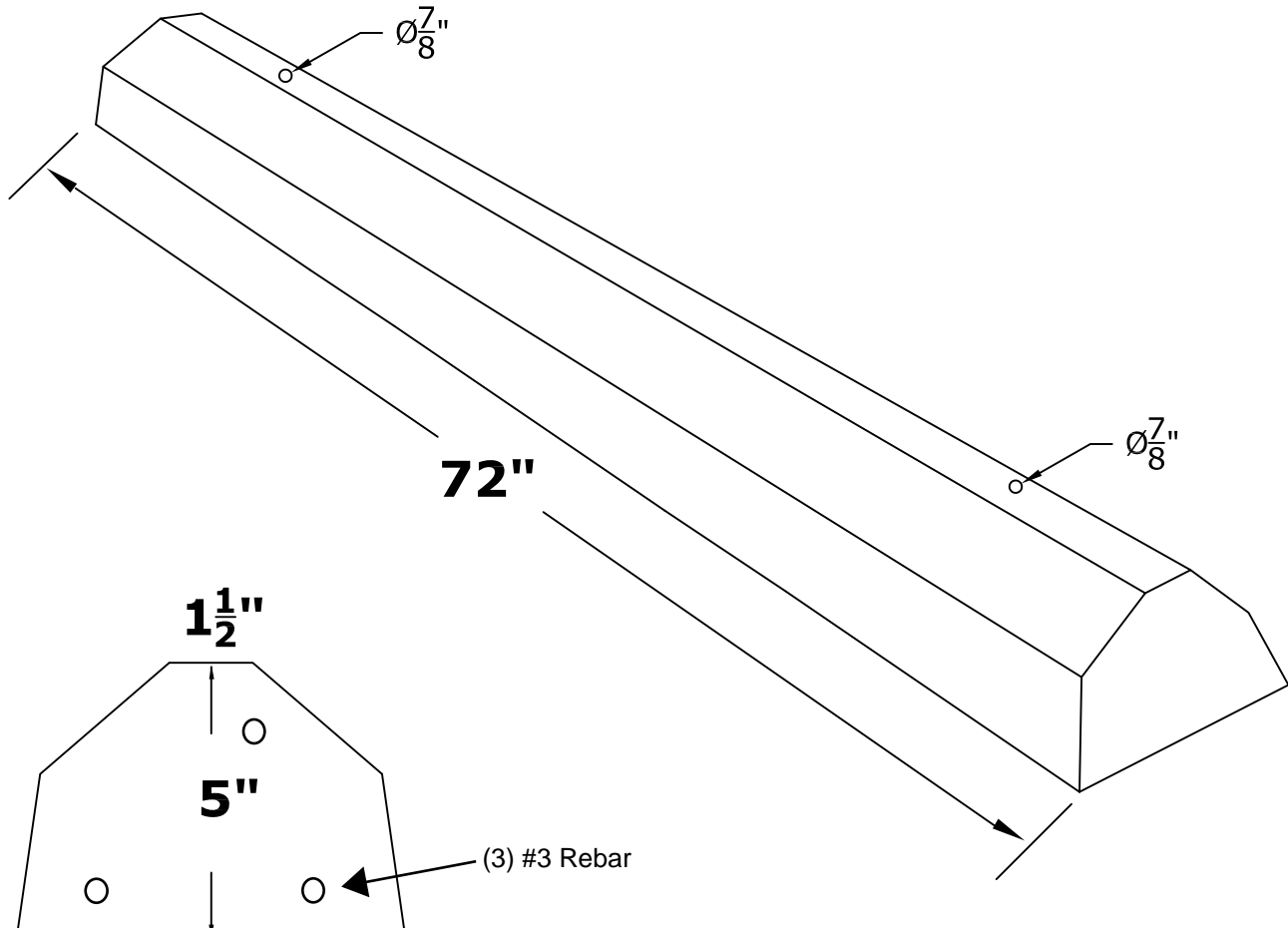


CP Standard Precast Parking Block



6209 Simpson Ave Cincinnati OH 45224
 (513) 739-1166
 CincinnatiPrecast.com

Specifications:
 Concrete: 4,000 PSI Min
 Reinforcing Bar: (3) #3 Bars Continuous
 0.35 yds. = 180 lbs.

Description: 5" x 7" x 72"

Part Number: P100

Drawing Date: 21Jan2026

Comments: