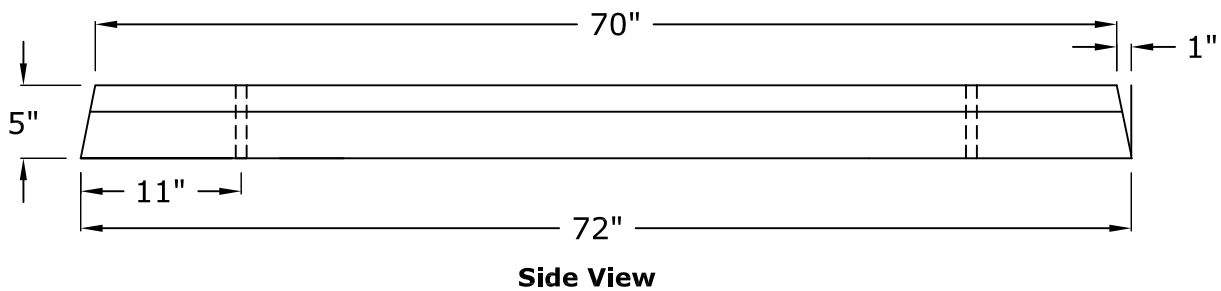
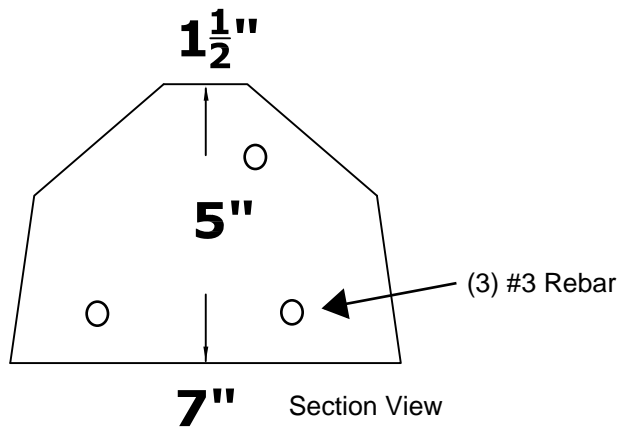
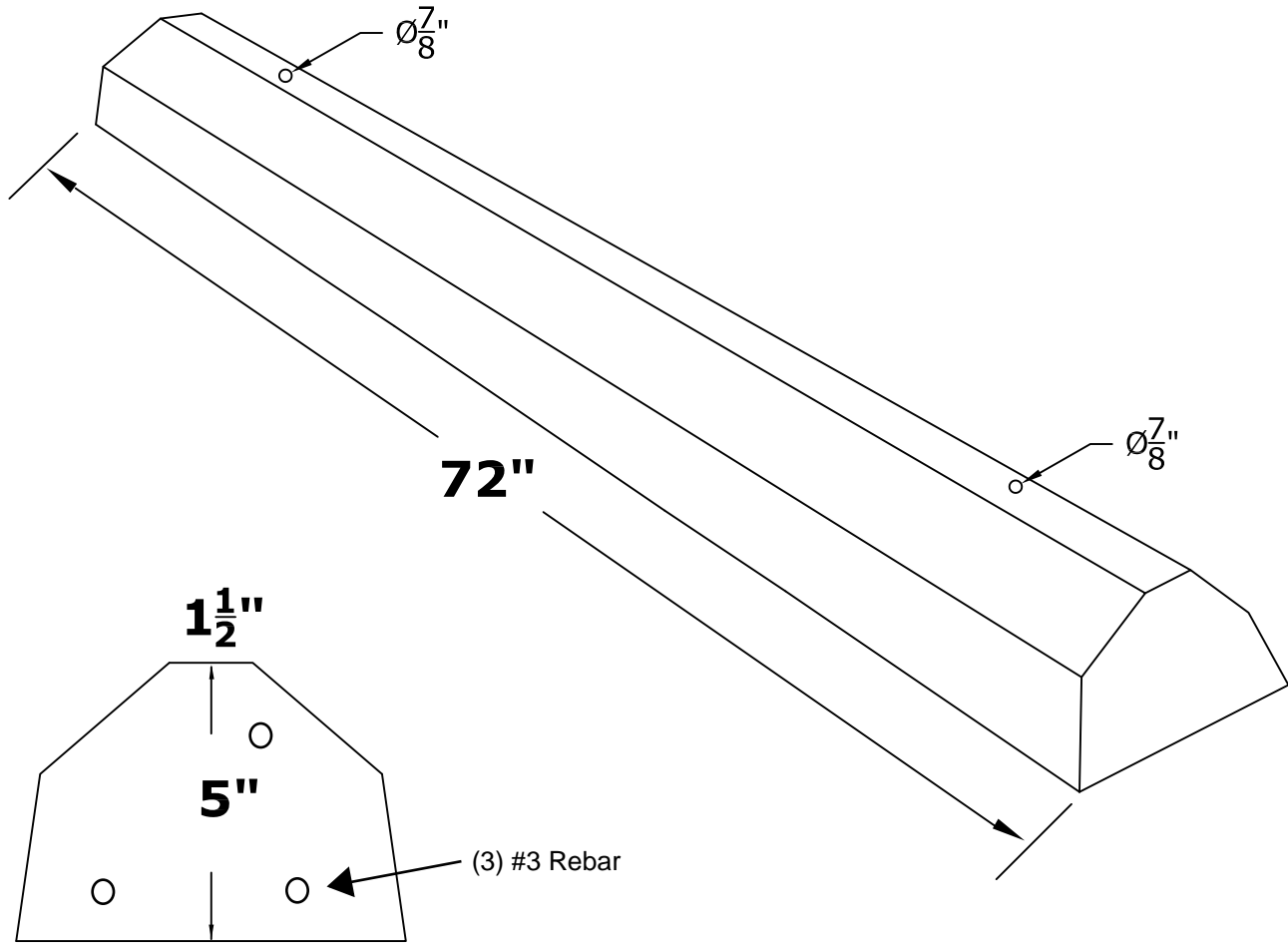


# CP Standard Precast Parking Block



6209 Simpson Ave Cincinnati OH 45224  
(513) 739-1166  
CincinnatiPrecast.com

Specifications:  
Concrete: 5,000 PSI Min  
Reinforcing Bar: (3) #3 Bars Continuous  
0.35 yds. = 180 lbs.

Description: 5" x 7" x 72"

Part Number: P100HS

Drawing Date: 21Jan2026

Comments: