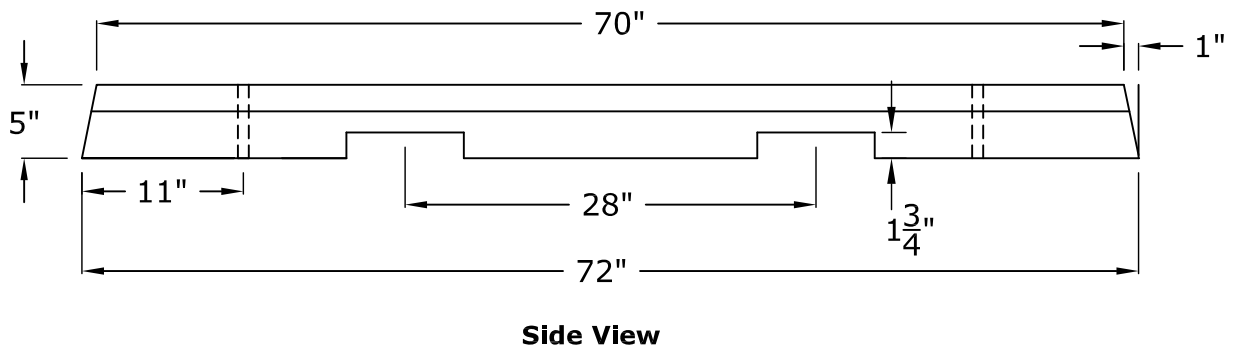
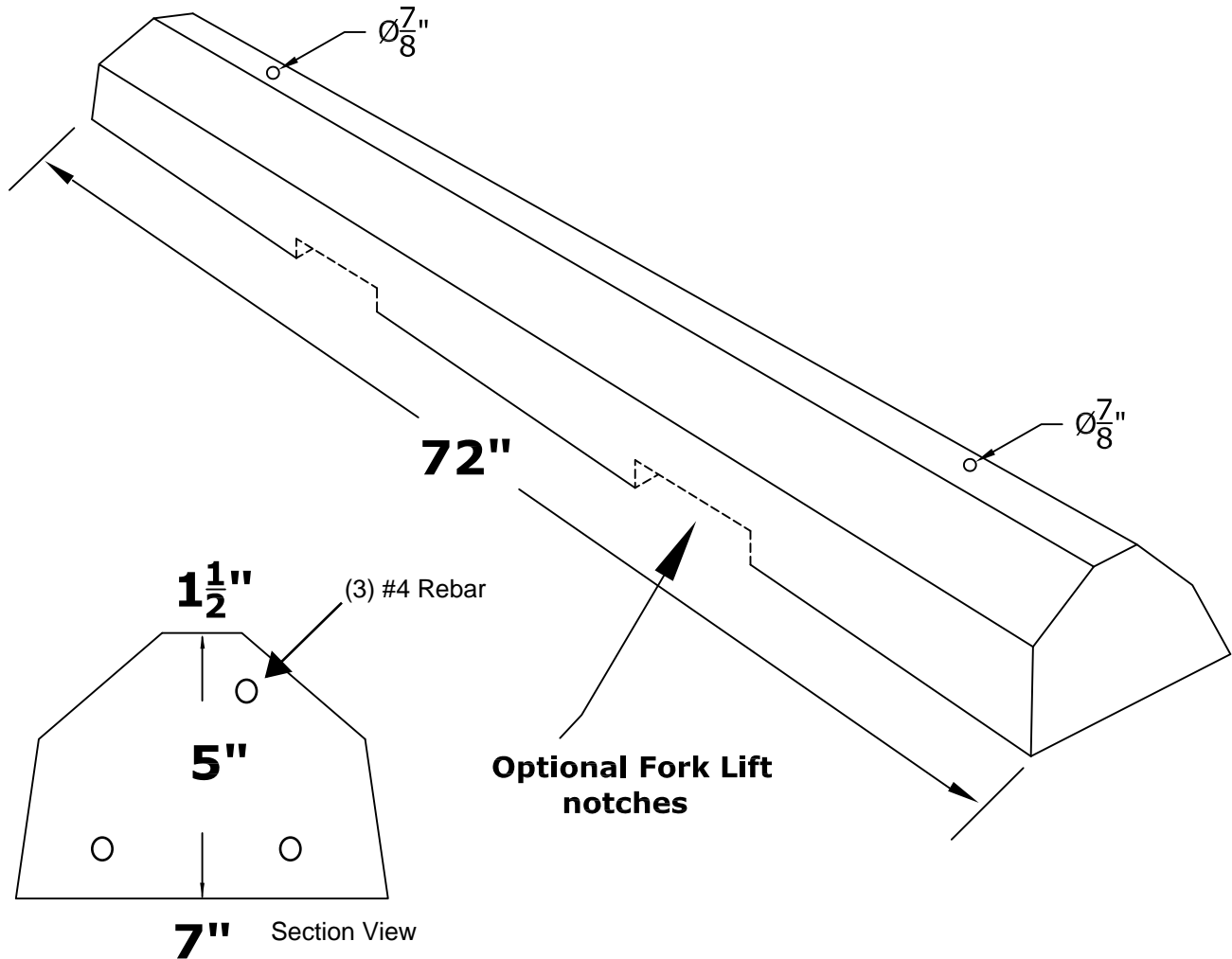


# CP Standard Precast Parking Block

(WITH DRAINAGE/FORKLIFT POCKETS)



6209 Simpson Ave Cincinnati OH 45224  
 (513) 739-1166  
 CincinnatiPrecast.com

Specifications:  
 Concrete: 4,000 PSI Min  
 Reinforcing Bar: (3) #4 Bars Continuous  
 0.35 yds. = 180 lbs.

Description: 5" x 7" x 72" w/ Drain Slot

Part Number: P100-DS

Drawing Date: 21Jan2026

Comments: